



Brand of KLOZMANN Company
4 Allée Victor Basch
42 000 Saint-Étienne
France

Tél : +33 4 77 91 03 72

Mail : contact@blockaxess.com

Web : www.blockaxess.com

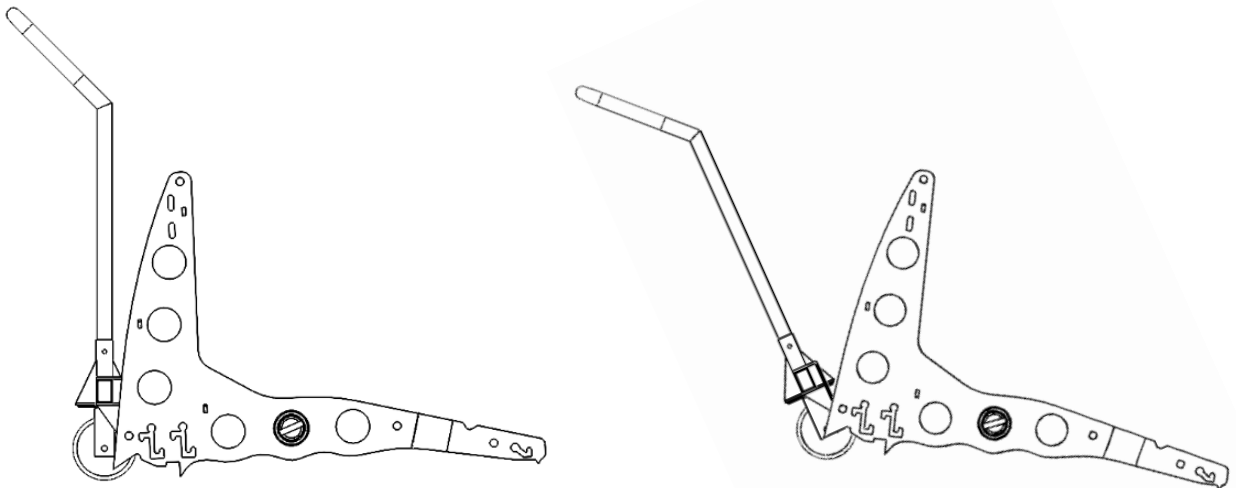
TECHNICAL DATA

Trolley Block'Axess **C-BLAX**



Descriptif of the set

- ❖ The trolley allows you to move the BLAX V2 and V3PL barrier without having to install the swivel casters provided at the back of the modules.
- ❖ It allows you to move up to 7 modules at the same time, i.e. 4 ml.
- ❖ It consists of 4 main parts: 3 hollow rectangular tubes, a curved handle,
- ❖ 4 blue wheels (2 fixed central and 2 with brake on the sides) allow it to be moved on all types of flooring.
- ❖ The handle, the 2 extensions and the casters are removable to reduce the volume during storage.
- ❖ The trolley allows you to lift the barrier by resting it on its front casters.
- ❖ A setup video is available upon request.



Description of the elements

All elements (except wheels and rubbers) are made of steel with a hot-dip galvanized finish for anti-corrosion. All plates (folded and unfolded) are 5 and 8 mm thick. All holes are 11 mm in diameter to have 10 mm screws.

➤ **C-BLAX V2 and V3PL : length of the trolley 4 meters assembled**

Hollow rectangular frame of 60x40 mm of 1.4 m with handle support and 2 blue wheels

Central pedal support for support in 5 mm flat steel

8 mm flat steel lock for blocking the trolley

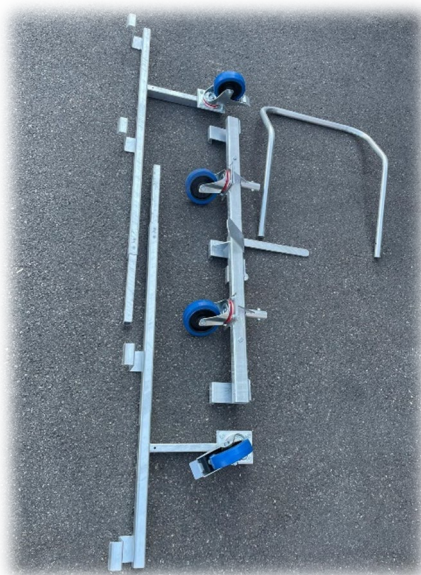
Curved handle to assemble on the central support in hollow tube D32 mm. 0.7 x 0.8 x 0.3 m

2 extensions (1 right - 1 left) with a blue wheel with brake (60x40 mm) – length 1.6x0.4 m

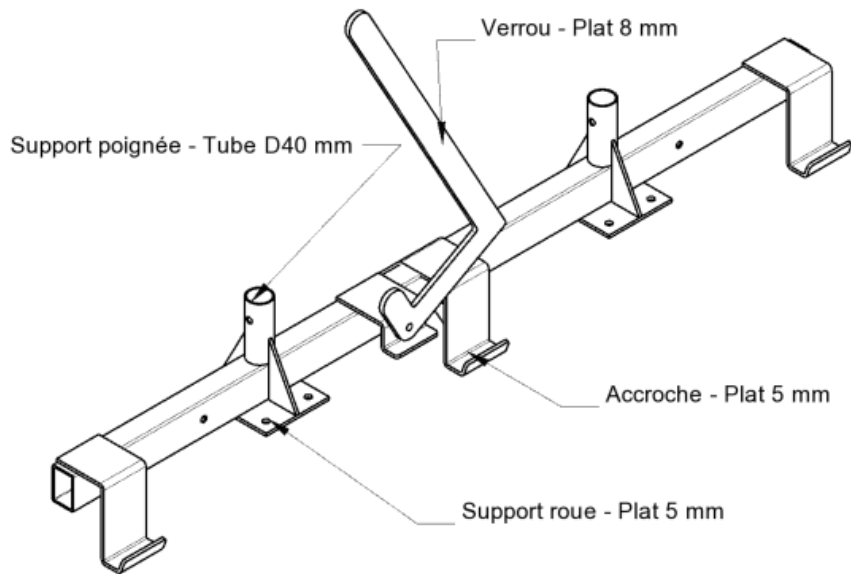
4 M10*50 screws with nuts allow assembly

Weight of the set: 30 Kgs

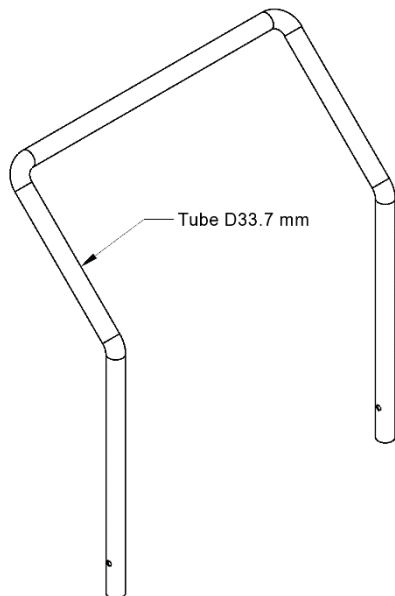
Hot galvanized steel



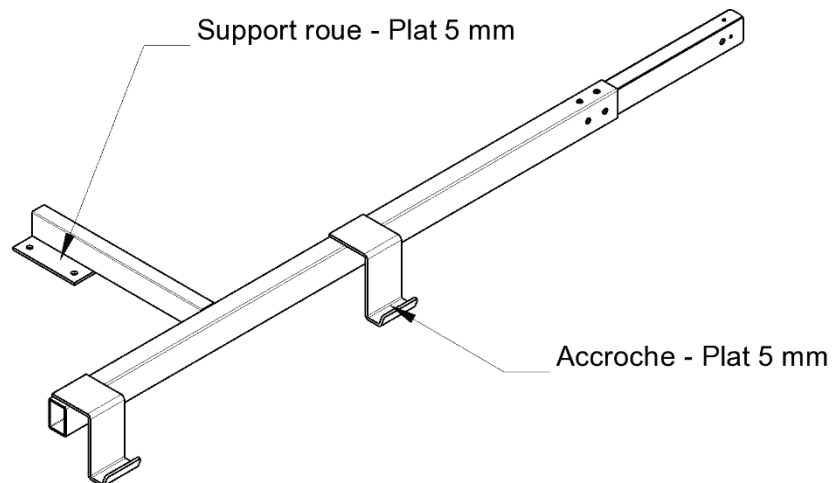
Principal hollow



Handle



Extensions



Handling - Installation

Check the contents of the C-BLAX kit before assembly and choose a flat area.

Unscrew the 4 M10x50 screws with nuts.

Position the main support on the ground on the hook side,

With the pedal facing the sky.



Insert the left and right extension on each side of the support, Ensuring that the hooks are in the same direction.

Screw and tighten the M10x50 screws with nuts.

Insert the handling handle

And screw the 2 M10x50 screws with nuts.



Position the trolley vertically on the wheels,

With the hooks facing the modules

Ensure that the lock is in the horizontal position.

Tilt the trolley in advance so that the hooks pass

Under the lower rounds of the modules.



Bring the trolley towards you then by pulling hard on
The handle and pressing the pedal,



Tilt the lock vertically behind the central module

The trolley is locked and thus allows the barrier to move.



To remove the trolley, start by undoing the lock by pressing the handle and the pedal, then tilt the
trolley forward to remove the module hooks.

The demonstration video is available on request and soon on our website www.blockaxess.com.